

GC7 Slam-Bolt Paddle Latch (Blind Mounting)

Features

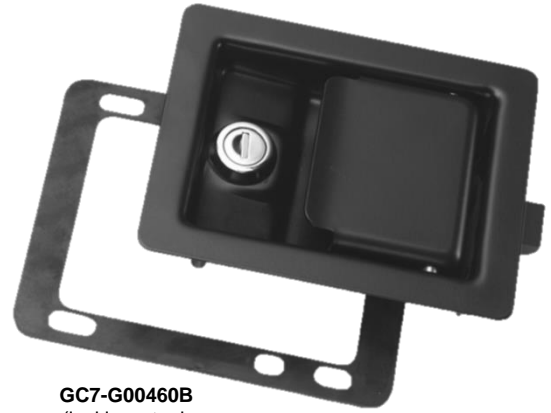
- Attractive, fully self-contained lock / latch
- Precision, machine-cut solid slam-bolt, heavy duty slide and locking cam, mirror finish on case/flap and no sharp edges
- Slam action against door frame or striker, released by lifting flap
- Blind-mounting style, with four studs (M6 x 15 mm) welded on inside rim
- Flush fitting and simple to install
- Moulded gasket supplied

Material

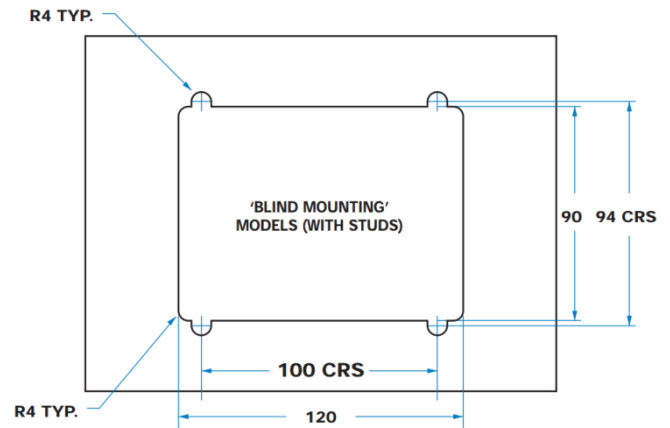
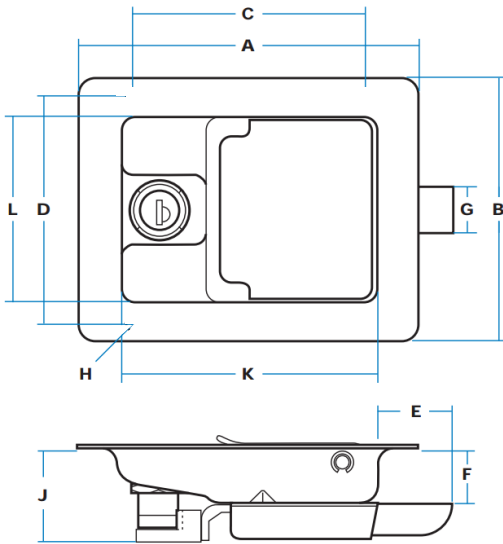
- Stainless steel models: Stainless steel 304, polished
- Steel models: Mild steel, clear zinc plated or black powder coated

Notes

- For key-locking options, 'FS' keys provided as standard with shuttered keyway. Optionally 'FT', '92' or 'DLP' key types also available
- Recommended maximum torque for securing weld-studs is 4.5 N.m



GC7-G00460B
(locking, steel,
black powder coated)



Part No.	Material	Locking	Key	A	B	C	D	E	F	G	H	J	K	L
GC7-G00460	Steel, Zinc Plated	Yes	Standard	140	108	95	94	28	22	19	5	40	105	76
GC7-G00460-01			FS880											
GC7-G00461		No	-											
GC7-G00460B	Steel, Black Powder Coated	Yes	Standard											
GC7-G00460B-01			FS880											
GC7-G00461B		No	-											
GC7-G00470	Stainless Steel	Yes	Standard											
GC7-G00470-01			FS880											
GC7-G00471		No	-											

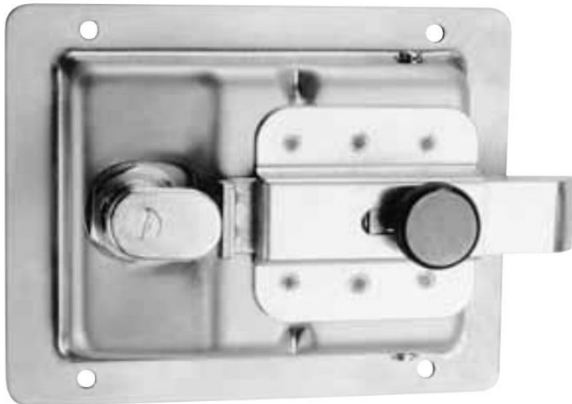
Options & Add-Ons



PADLOCKABLE PADDLES

The loop has 10 mm aperture and is made in double-section stainless steel for strength and scratch resistance. It can be added to almost any of our standard 'paddle' models.

To order, add the suffix "-PL" to our regular part numbers.



INSIDE RELEASE OPTION

A knob for inside release can be fitted to all slam-bolt models. This operates even when paddle has been locked from outside

To order, add the suffix "-IR" to our regular part numbers.



MULTI-POINT OPTIONS

Our standard paddle latches are also available as part of multi-point systems. Complete 2-point or 3-point systems are available for purchase.

Contact Gripwell sales for assistance.